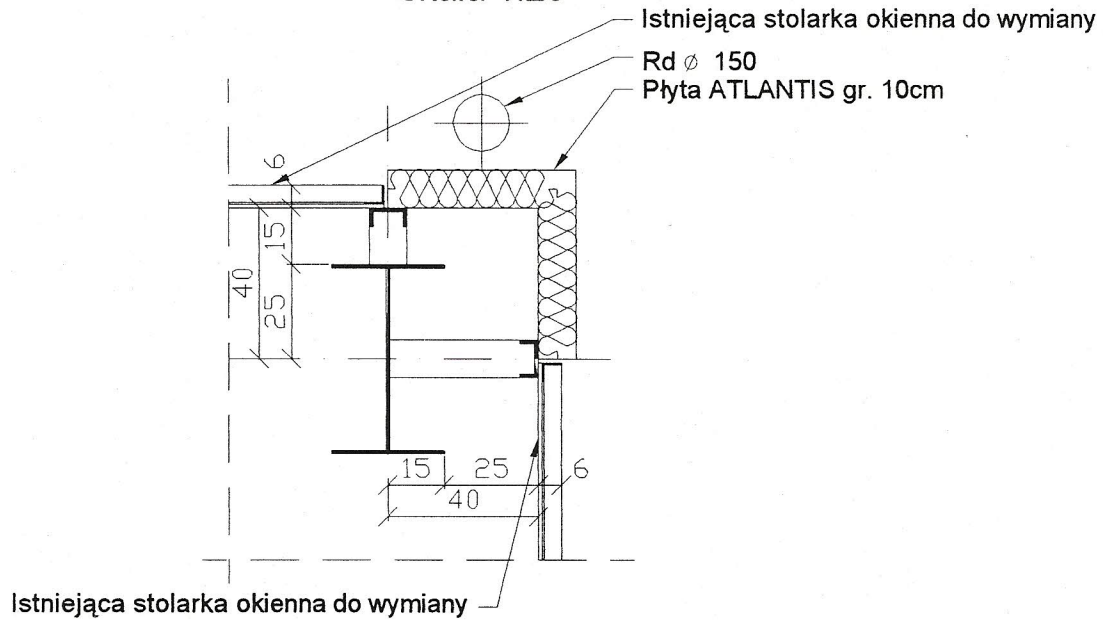


DETAL "B"

skala 1:20



DETAL "B1"

skala 1:20

